

# A10VSO serie 31

## Technical data, standard unit

Size	NG		18	28	45	71	88	100	
Geometric displacement, per revolution	$V_{g \max}$	cm <sup>3</sup>	18	28	45	71	88	100	
Maximum rotational speed <sup>1)</sup>	at $V_{g \max}$	$n_{\text{nom}}$	rpm	3300	3000	2600	2200	2000	
	at $V_g < V_{g \max}$ <sup>2)</sup>	$n_{\text{max perm}}$	rpm	3900	3600	3100	2600	2400	
Flow	at $n_{\text{nom}}$ and $V_{g \max}$	$q_{v \max}$	l/min	59	84	117	156	185	200
	at $n_E = 1500$ rpm and $V_{g \max}$	$q_{vE \max}$	l/min	27	42	68	107	132	150
Power	with $n_{\text{nom}}$ , $V_{g \max}$	$P_{\max}$	kW	28	39	55	73	86	93
	at $\Delta p = 280$ bar	at $n_E = 1500$ rpm and $V_{g \max}$	$P_{E \max}$	kW	12.6	20	32	50	62
Torque	$\Delta p = 280$ bar	$M_{\max}$	Nm	80	125	200	316	392	445
	with $V_{g \max}$ and $\Delta p = 100$ bar	$M$	Nm	30	45	72	113	140	159
Rotary stiffness of drive shaft	S	$c$	Nm/rad	11087	22317	37500	71884	71884	121142
	R	$c$	Nm/rad	14850	26360	41025	76545	76545	–
	P	$c$	Nm/rad	13158	25656	41232	80627	80627	132335
Moment of inertia of the rotary group	$J_{TW}$	kgm <sup>2</sup>	0.00093	0.0017	0.0033	0.0083	0.0083	0.0167	
Case volume	$V$	l	0.4	0.7	1.0	1.6	1.6	2.2	
Weight <b>without</b> through drive (approx.)	$m$	kg	12.9	18	23.5	35.2	35.2	49.5	
Weight <b>with</b> through drive (approx.)			14	19.3	25.1	38	38	55.4	

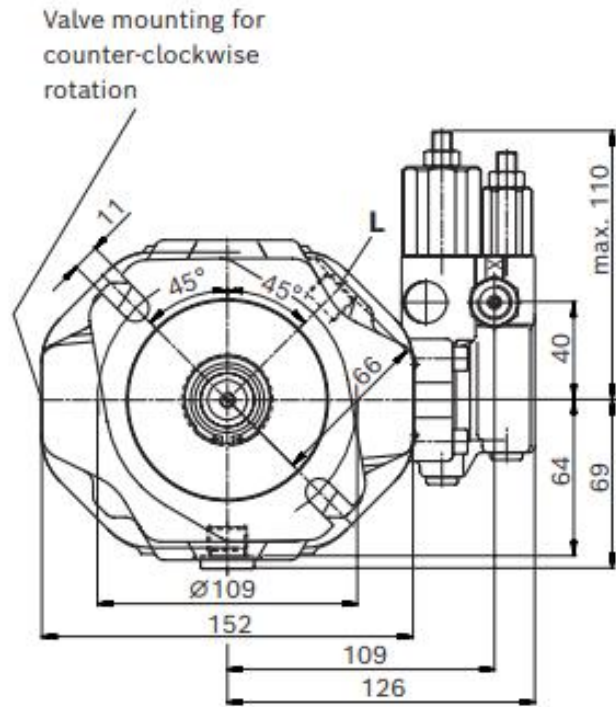
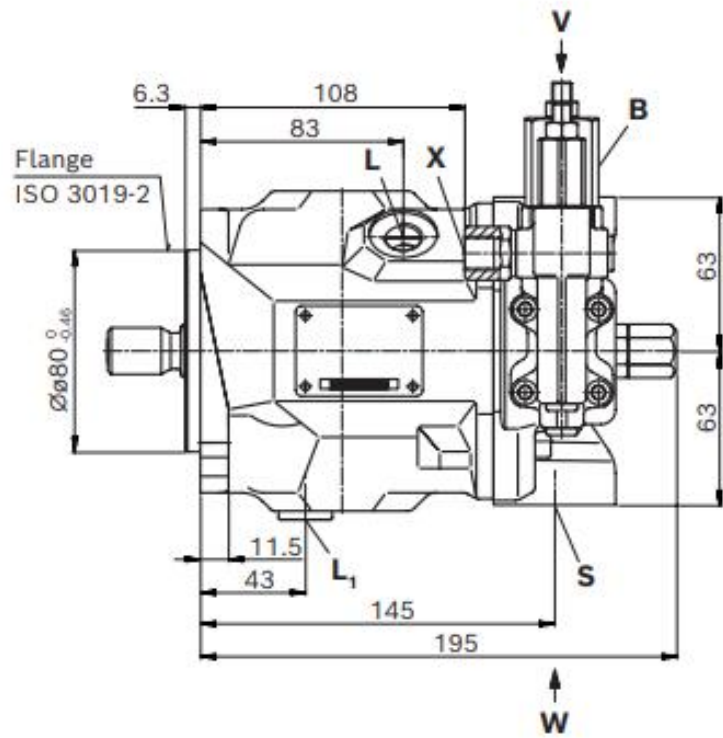
## Technical data, standard unit

Size	NG		18	28	45	71	88	100	
Geometric displacement, per revolution	$V_{g \max}$	cm <sup>3</sup>	18	28	45	71	88	100	
Maximum rotational speed <sup>1)</sup>	at $V_{g \max}$	$n_{\text{nom}}$	rpm	3300	3000	2600	2200	2100	2000
	at $V_g < V_{g \max}$ <sup>2)</sup>	$n_{\text{max perm}}$	rpm	3900	3600	3100	2600	2500	2400
Flow	at $n_{\text{nom}}$ and $V_{g \max}$	$q_{v \max}$	l/min	59	84	117	156	185	200
	at $n_E = 1500$ rpm and $V_{g \max}$	$q_{vE \max}$	l/min	27	42	68	107	132	150
Power	with $n_{\text{nom}}$ , $V_{g \max}$	$P_{\max}$	kW	28	39	55	73	86	93
	at $\Delta p = 280$ bar	at $n_E = 1500$ rpm and $V_{g \max}$	$P_{E \max}$	kW	12.6	20	32	50	62
Torque	$\Delta p = 280$ bar	$M_{\max}$	Nm	80	125	200	316	392	445
	with $V_{g \max}$ and $\Delta p = 100$ bar	$M$	Nm	30	45	72	113	140	159
Rotary stiffness of drive shaft	S	$c$	Nm/rad	11087	22317	37500	71884	71884	121142
	R	$c$	Nm/rad	14850	26360	41025	76545	76545	–
	P	$c$	Nm/rad	13158	25656	41232	80627	80627	132335
Moment of inertia of the rotary group	$J_{TW}$	kgm <sup>2</sup>	0.00093	0.0017	0.0033	0.0083	0.0083	0.0167	
Case volume	$V$	l	0.4	0.7	1.0	1.6	1.6	2.2	
Weight <b>without</b> through drive (approx.)	$m$	kg	12.9	18	23.5	35.2	35.2	49.5	
Weight <b>with</b> through drive (approx.)			14	19.3	25.1	38	38	55.4	

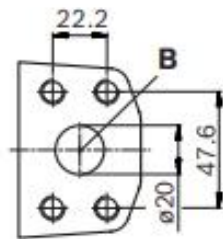


# Схема установки

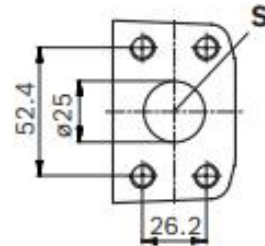
Dimensions, size 18



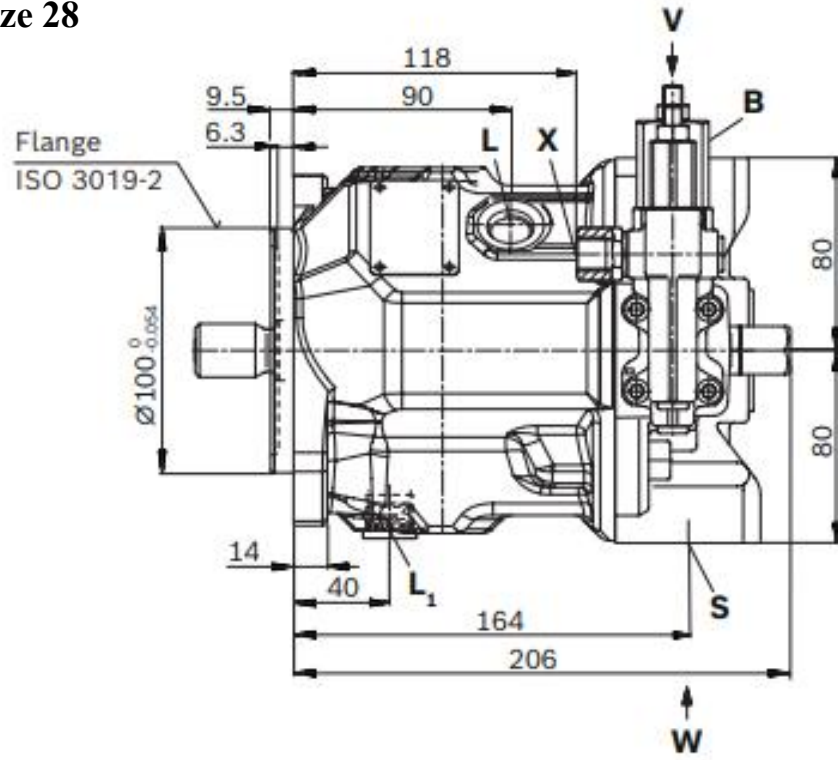
Detail V



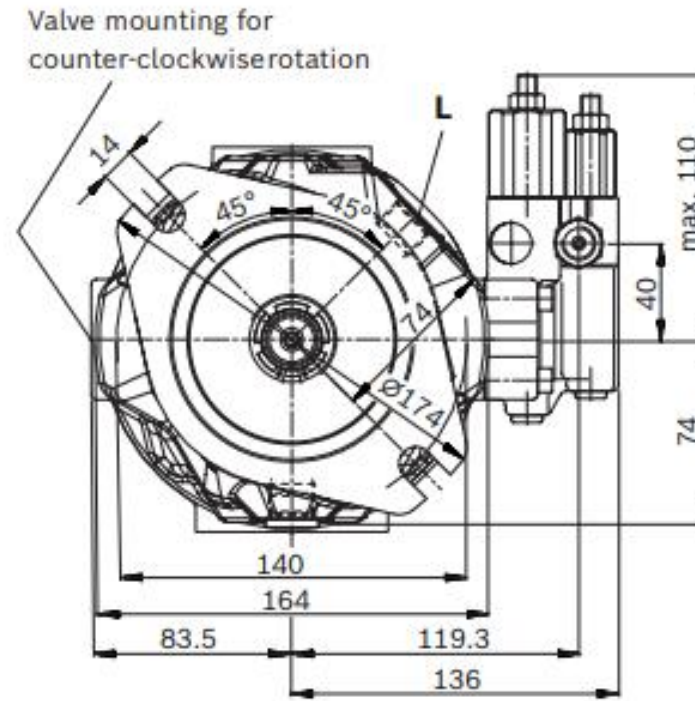
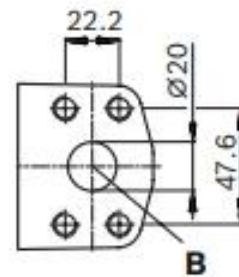
Detail W



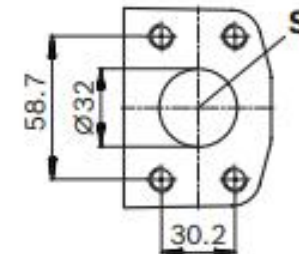
### Dimensions, size 28



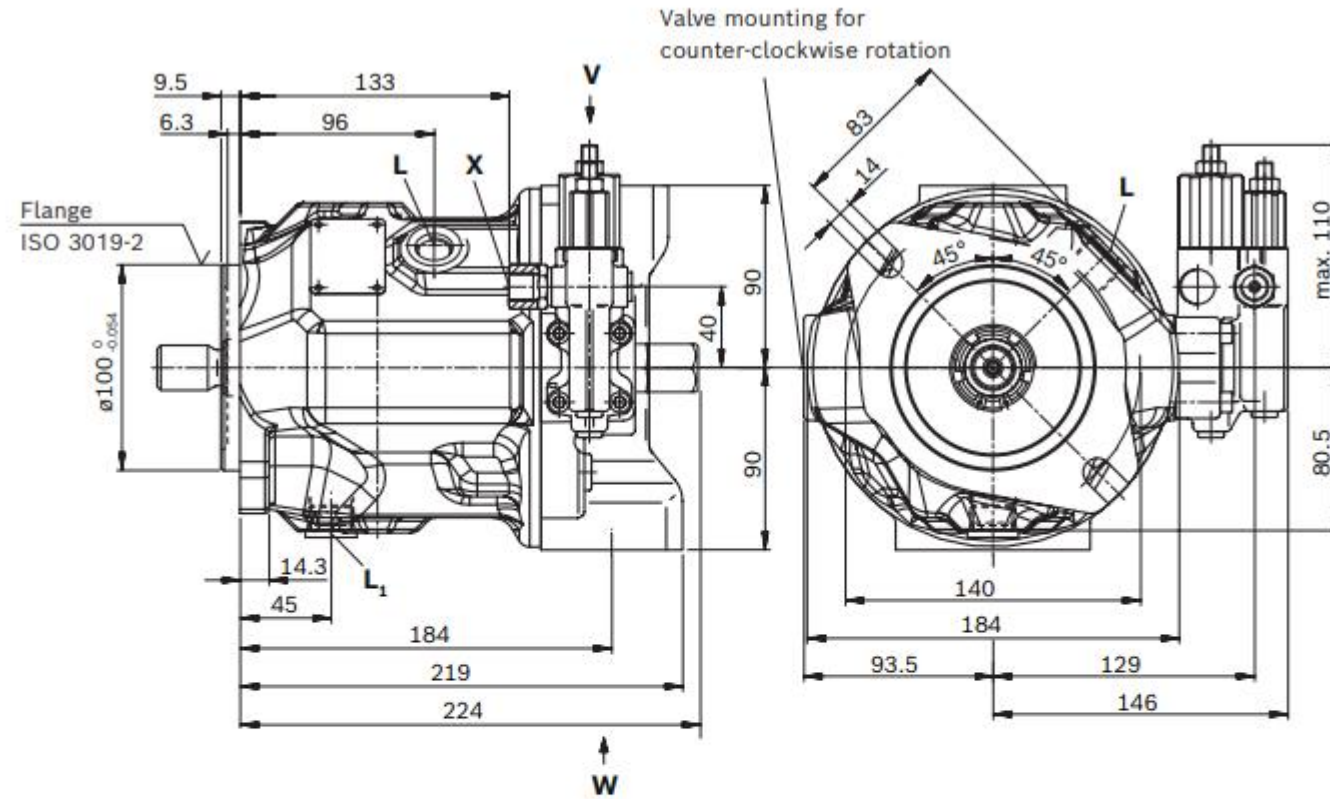
Detail V



Detail W

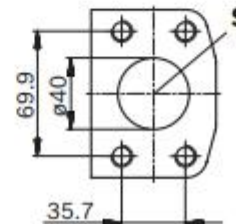
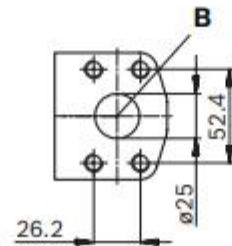


# Dimensions, size 45

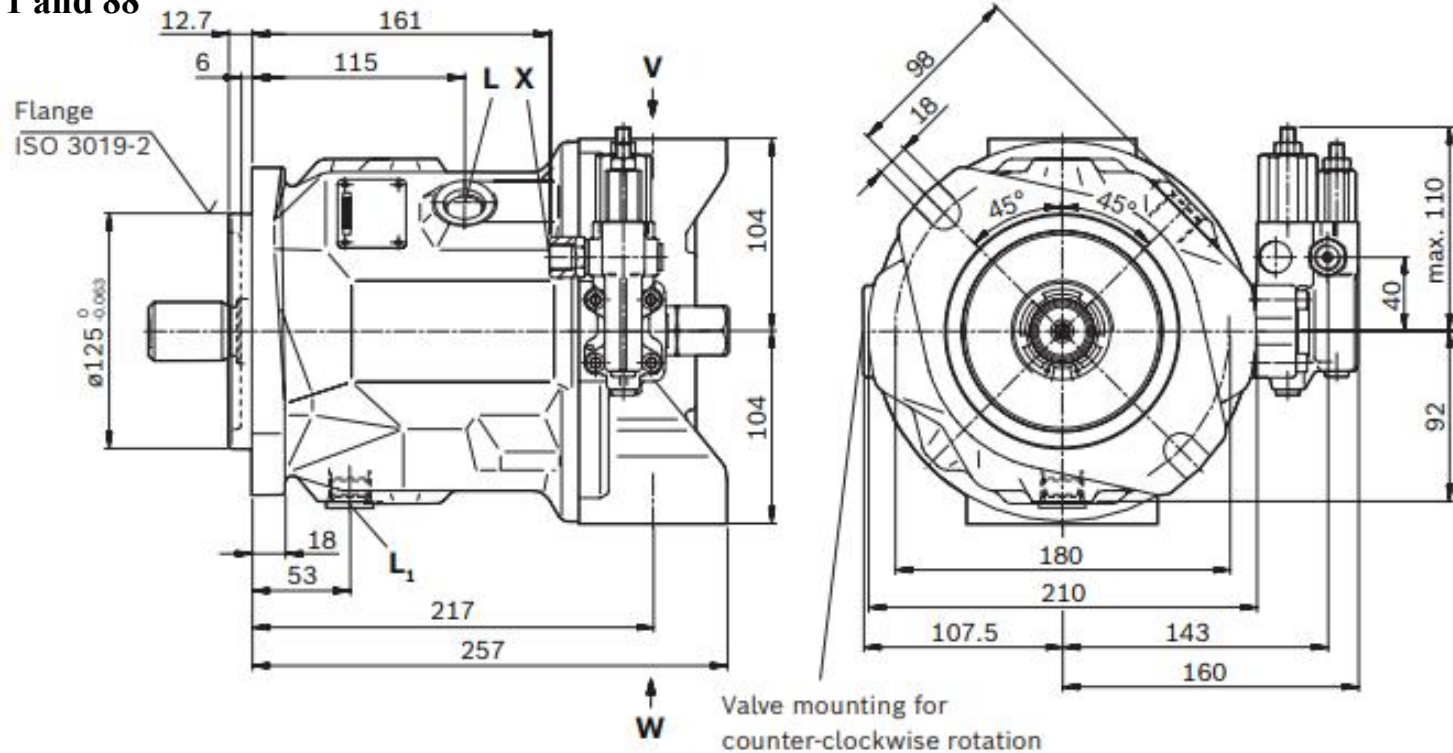


Detail V

Detail W

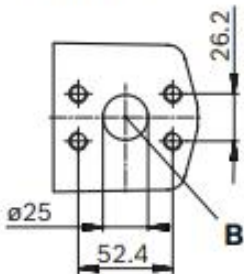


# Dimensions, size 71 and 88

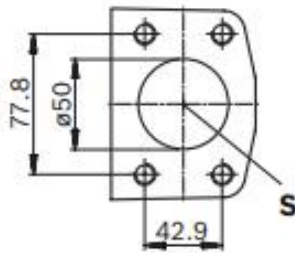


Valve mounting for counter-clockwise rotation

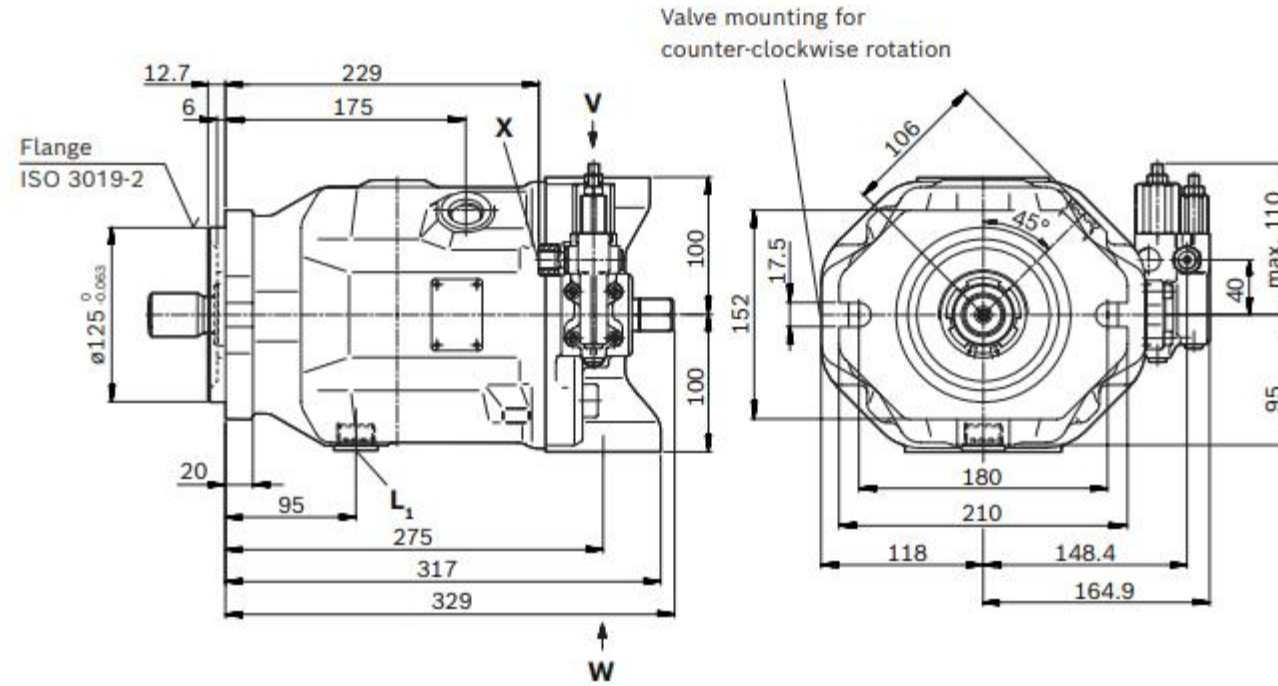
Detail V



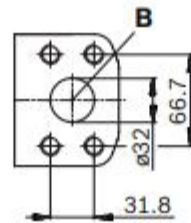
Detail W



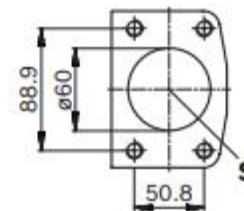
# Dimensions, size 100



Detail V



Detail W





**Примечания: Если Вам нужна более подробная информация, можете связаться с нами (например, структура и параметры размера отверстия для утечки масла (Dt); структура входа и выхода и параметры размера шестеренного насоса; требования к форме и параметрам и нтерфейса гнезда электромагнитного клапана, уровень защиты и т.д.)**